

FEATURES

Small size - High voltage - High Capacitance

APPLICATIONS

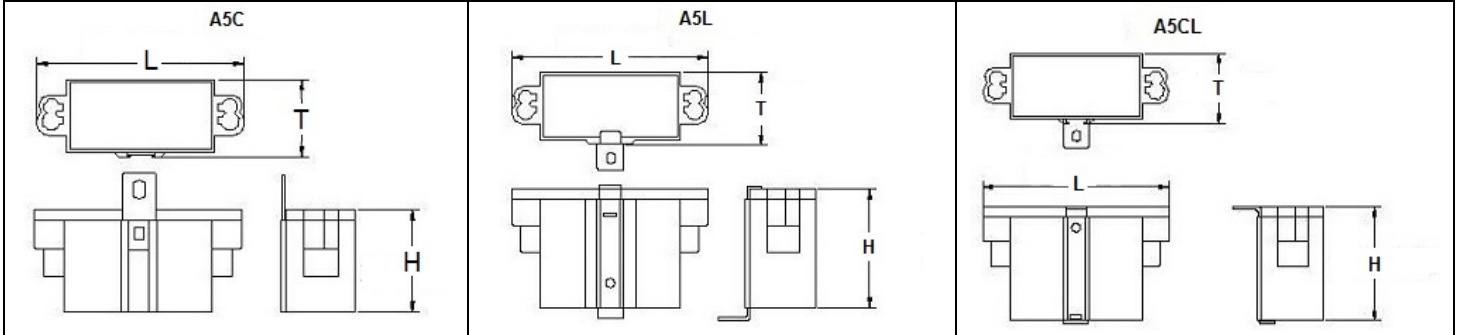
Motor Run

Operating Temperature Range		-25°C to +85°C						
Capacitance Tolerance		+10% at 1 kHz, 25°C						
AC Voltage	70°C	250	275	300	350	370	400	450
	85°C	200	220	250	280	320	320	360
Maximum Over voltage		110% of rated VAC						
Dissipation Factor (MAX) Tan δ at 1 kHz and 25°C		1.0%						
Insulation Resistance	Terminal to Terminal				Terminal to Case			
	1000 MΩxμF After 1 minute of 100VDC applied between the terminals at 25°C				2000 MΩxμF After 1 minute of 100VDC applied between the terminals at 25°C			
Self Inductance		<1 nano-Henry per mm of lead spacing and lead length						
Long Term Stability		Capacitance variation <1% MAX after 2 years						
Dielectric Strength	Terminal to Terminal				Terminal to Case			
	175% of VAC applied for 60 Seconds and 25°C				200% of VAC+1000VAC or 2KVAC at 50/60 Hz applied between the terminals and case for 60 Seconds and 25°C, whichever is greater			
Agency certifications		UL – E144575 C22.2 No. 190-M1985						
Terminations		<p>Connection: Insert stripped wire into contact hole</p> <p>Removal: Push probe or pin into the mounting hole and press down the contact slightly to release and remove the wire</p>						

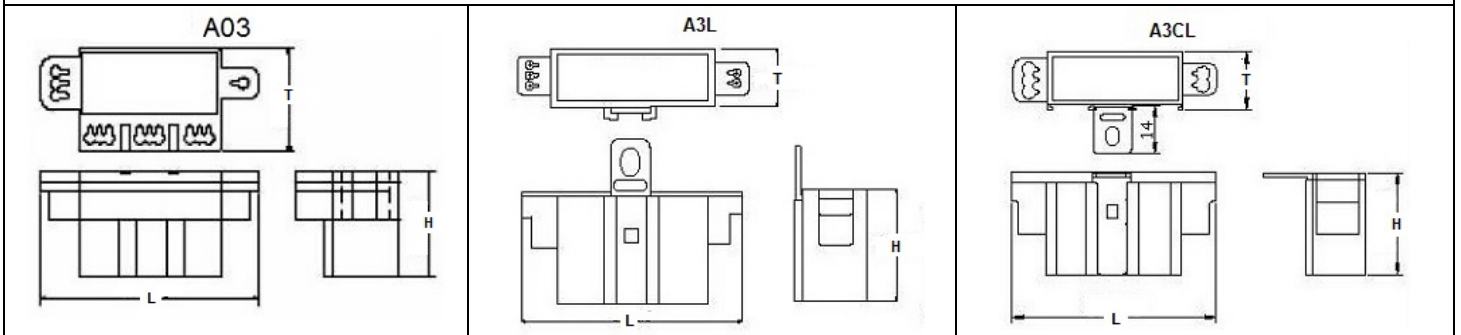


Mounting lead Options

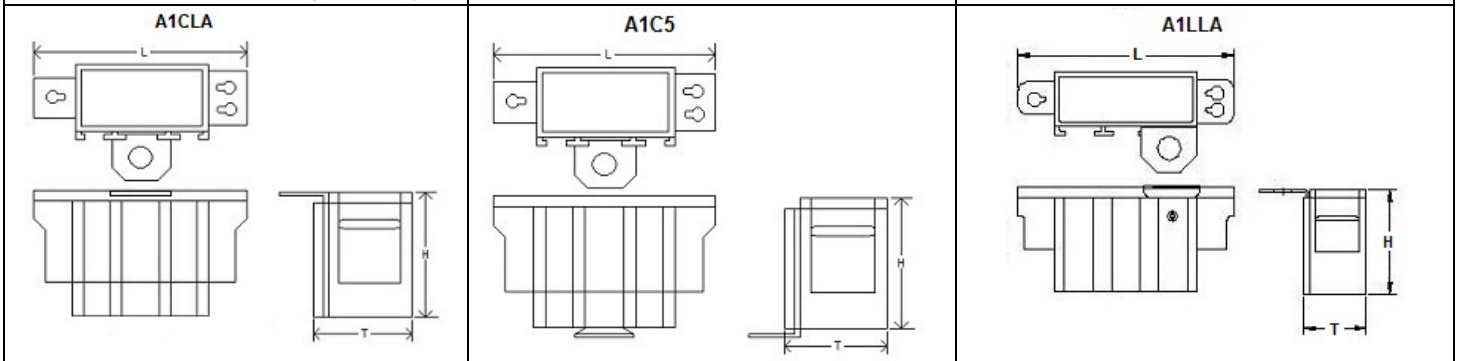
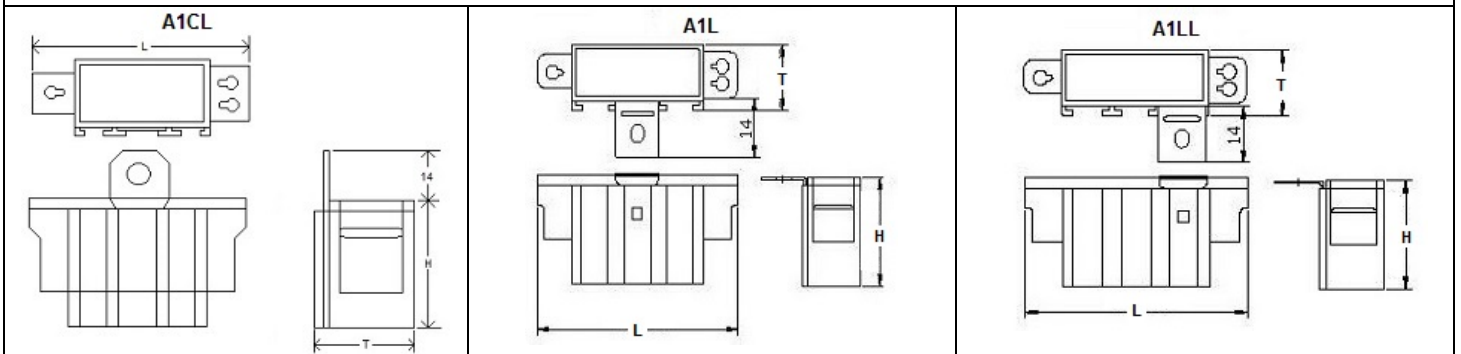
Case Code B8



Case Code B5 and B5B



Case Code A3



QPC

Motor Run

Capacitance (µF)	VAC	IC PART NUMBER	Dims LxHxT (mm)	Case Code
0.4	450	404QPC450KA3#	46x24x13	A3
0.5	400	504QPC400KA3#	46x24x13	A3
0.6	350	604QPC350KA3#	46x24x13	A3
0.8	300	804QPC300KA3#	46x24x22	A3
0.9	275	904QPC275KA3#	46x24x13	A3
1	250	105QPC250KA3#	46x24x13	A3
1	400	105QPC400KB5#	52x26x18	B5
1	400	105QPC400KB5B#	52x26x24	B5B
1	450	105QPC450KA3#	46x24x13	A3
1	450	105QPC450KB5#	52x26x18	B5
1	450	105QPC450KB5B#	52x26x24	B5B
1.2	250	125QPC250KA3#	46x24x13	A3
1.2	400	125QPC400KA3#	46x24x13	A3
1.5	250	155QPC250KA3#	46x24x13	A3
1.5	400	155QPC400KB5#	52x26x18	B5
1.5	400	155QPC400KB5B#	52x26x24	B5B
1.8	350	185QPC350KA3#	46x24x13	A3
1.8	350	185QPC350KB5#	52x26x18	B5
1.8	350	185QPC350KB5B#	52x26x24	B5B
2	250	205QPC250KA3#	46x24x13	A3
2	400	205QPC400KB5#	52x26x18	B5
2	400	205QPC400KB5B#	52x26x24	B5B
2	450	205QPC450KB5#	52x26x18	B5
2	450	205QPC450KB5B#	52x26x24	B5B
2.5	250	255QPC250KA3#	46x24x13	A3
2.5	300	255QPC300KA3#	46x24x22	A3
2.5	300	255QPC300KB5#	52x26x18	B5
2.5	300	255QPC300KB5B#	52x26x24	B5B
2.5	350	255QPC350KB5#	52x26x18	B5
2.5	350	255QPC350KB5B#	52x26x24	B5B
2.5	400	255QPC400KB5#	52x26x18	B5
2.5	400	255QPC400KB5B#	52x26x24	B5B
2.7	400	275QPC400KB5#	52x26x18	B5
2.7	400	275QPC400KB5B#	52x26x24	B5B
3	250	305QPC250KA3#	46x24x13	A3
3	275	305QPC275KA3#	46x24x13	A3

Capacitance (µF)	VAC	IC PART NUMBER	Dims LxHxT (mm)	Case Code
3	400	305QPC400KB8#	53x30x22	B8
3.3	450	335QPC450KB8#	53x30x22	B8
3.5	250	355QPC250KA3#	46x24x13	A3
3.5	350	355QPC350KB8#	53x30x22	B8
4	250	405QPC250KA3#	46x24x13	A3
4	250	405QPC250KB5#	52x26x18	B5
4	250	405QPC250KB5B#	52x26x24	B5B
4	300	405QPC300KB8#	53x30x22	B8
4	370	405QPC370KB8#	53x30x22	B8
4	400	405QPC400KB8#	53x30x22	B8
4.5	250	455QPC250KB5#	52x26x18	B5
4.5	250	455QPC250KB5B#	52x26x24	B5B
4.5	300	455QPC300KB5B#	52x26x24	B5B
4.5	300	455QPC300KB5#	52x26x18	B5
5	250	505QPC250KA3#	46x24x13	A3
5	250	505QPC250KB5#	52x26x18	B5
5	250	505QPC250KB5B#	52x26x24	B5B
5	250	505QPC250KB8#	53x30x22	B8
5	275	505QPC275KB8#	53x30x22	B8
5	370	505QPC370KB8#	53x30x22	B8
5.5	275	555QPC275KA3#	52x27x18	A3
5.5	350	555QPC350KA3#	53x30x22	A3
6	250	605QPC250KB5#	52x26x18	B5
6	250	605QPC250KB5B#	52x26x24	B5B
6	250	605QPC250KB8#	53x30x22	B8
6	370	605QPC370KB8#	53x30x22	B8
7	250	705QPC250KB5#	52x26x18	B5
7	250	705QPC250KB5B#	52x26x24	B5B
7	250	705QPC250KB8#	53x30x22	B8
7	300	705QPC300KB8#	53x30x22	B8
7	300	705QPC300KB8#	53x30x22	B8
7	300	705QPC300KB8#	53x30x22	B8
8	250	805QPC250KB8#	53x30x22	B8
8	275	805QPC275KB8#	53x30x22	B8
9	250	905QPC250KB8#	53x30x22	B8
10	250	106QPC250KB8#	53x30x22	B8