

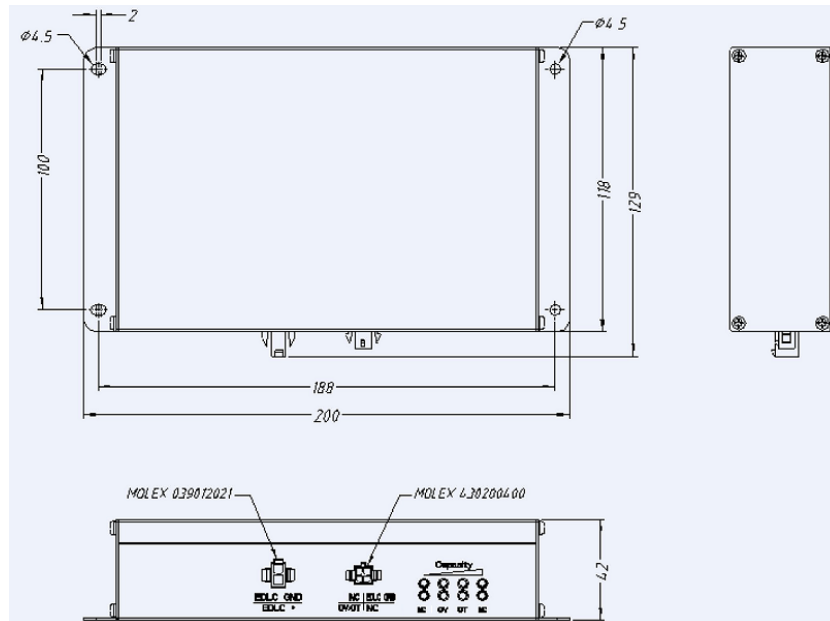


FEATURES

Over-voltage/ over temperature protection – Active voltage balancing

Part number: SCM112B

Electrical Specification		
Capacitance	3	Farads
Tolerance	+/-20	%
VDC	48	VDC
ESR _{ac}	400	mOhms MAX
ESR _{dc}	680	mOhms MAX
Energy capacity	1.2	Wh
Leakage current	1000	uA MAX
Temperature range	-40/+60	°C
Physical Specifications		
Dimensions	200x42x118	LxHxT (mm)
Terminations	03912021	Molex
	430200400	
Environmental protection	IP 51	
Weight	1.2	Kg
drawing		



For a detailed specification contact Illinois Capacitor.