

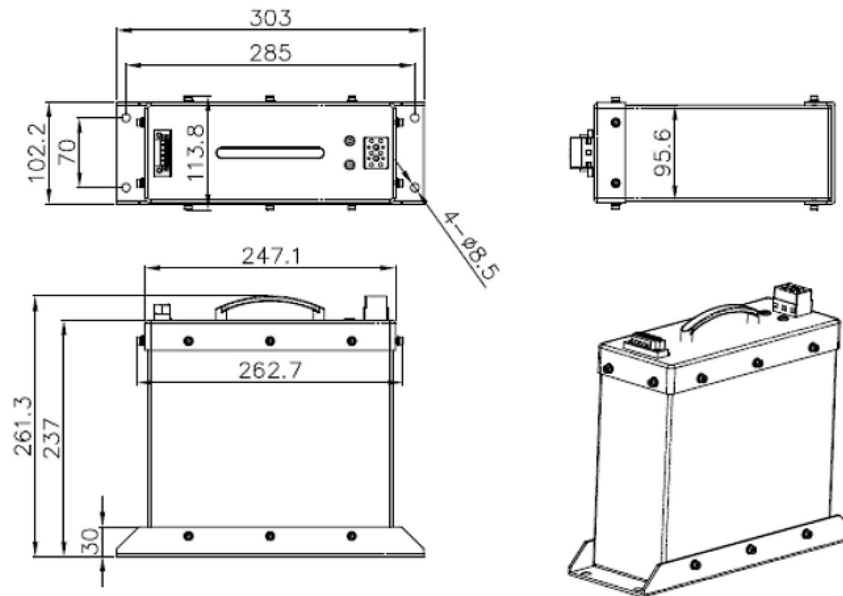


FEATURES

Over-voltage protection – control circuitry

Part number: SCM 118

Electrical Specification		
Capacitance	12	Farads
Tolerance	+20/-10	%
VDC	80	VDC
ESR _{ac}	180	mOhms MAX
ESR _{DC}	200	mOhms MAX
Energy capacity	10.6	Wh
Leakage current	2	mA MAX
Temperature range	-40/+60	°C
Physical Specifications		
Dimensions	303x237x102	LxHxT (mm)
Terminations	connectors	5P, 3P
Housing	Metal	
Environmental protection	IP 54	
Weight	7	Kg
Drawing		



For a detailed specification contact Illinois Capacitor.