

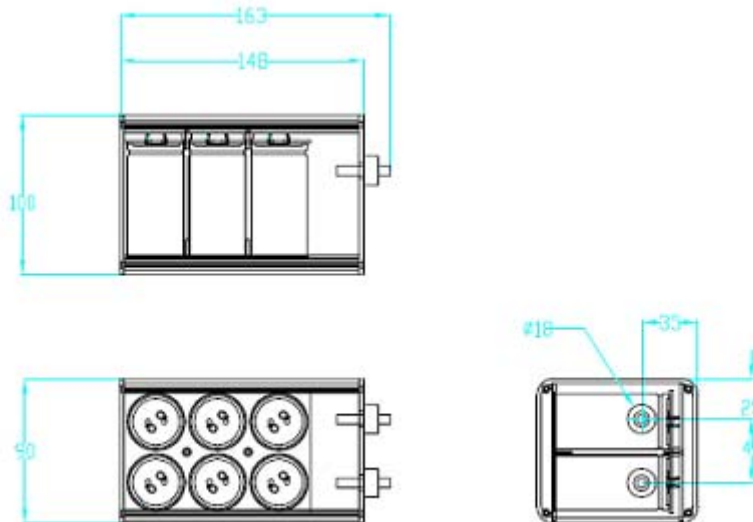


FEATURES

Over-voltage/ over temperature protection – control circuitry – CMS monitoring

Part number: SCM 44

Electrical Specification		
Capacitance	66	Farads
Tolerance	+20/-10	%
VDC	15	VDC
ESR _{ac}	40	mOhms MAX
ESR _{DC}	60	mOhms MAX
Energy capacity	2	Wh
Leakage current	4	mA MAX
Temperature range	-25/+70	°C
Physical Specifications		
Dimensions	100x90x144	LxHxT (mm)
Terminations	12# wire	
Housing	Aluminum	
Environmental protection	IP 54	
Weight	1.1	Kg
drawing		



For a detailed specification contact Illinois Capacitor.